

LESSON 18

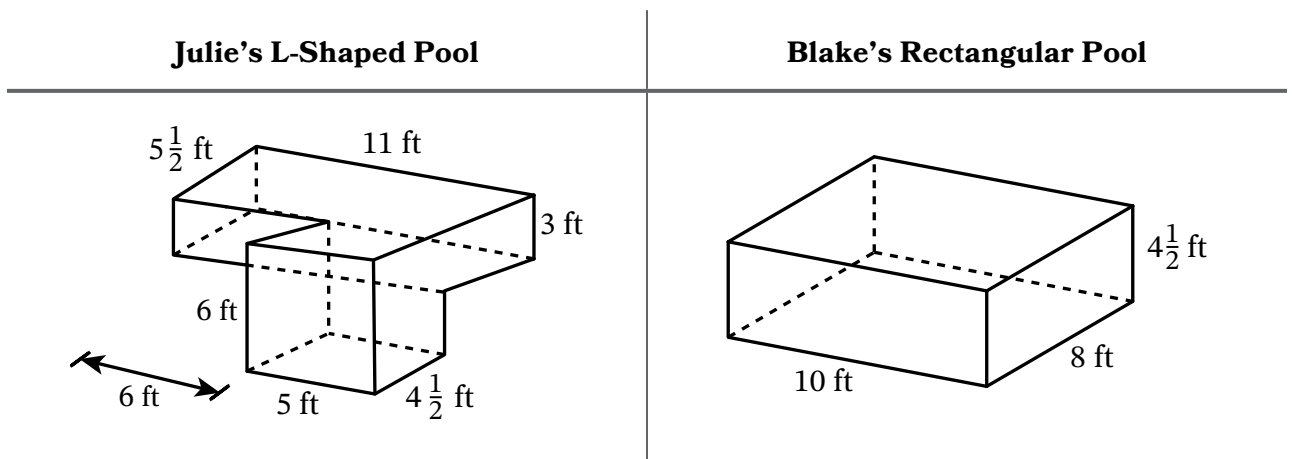
Name _____

Date _____

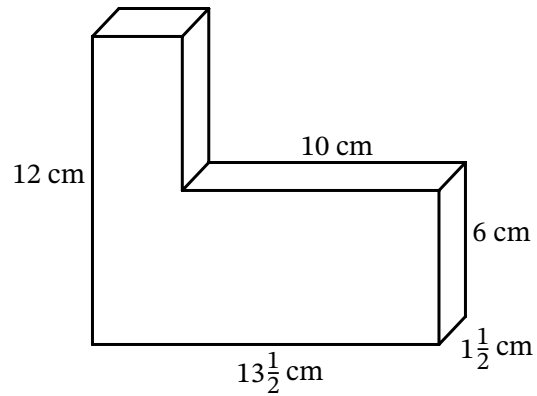
Volumes of Composite Solids**L-Shaped Solids**

For problems 1–3, all angles in the diagrams are right angles.

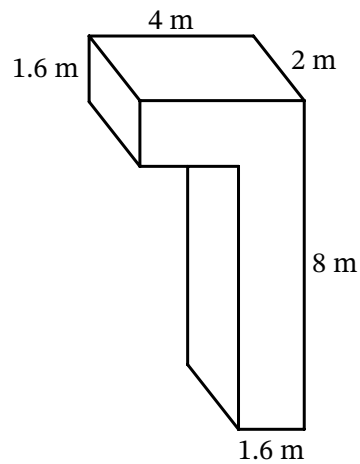
1. Which pool has a greater volume? Show how you know.



2. Determine the volume of the solid. Show how you know.



3. Which expression represents the volume of the solid in cubic meters?



- A. $(4)(2)(1.6) + (1.6)(2)(8)$
- B. $(4)(2)(1.6) + (4)(8)(1.6)$
- C. $(4)(2)(8) + (4)(2)(1.6)$
- D. $(4)(2)(1.6) + (1.6)(2)(6.4)$